

Planet

Galaxy

Star

Lunar

Globe



CIMC REEFER TRAILER PARTS MANUAL

QINGDAO CIMC REEFER TRAILER CO., LTD.

Add: East of Daxizhuang, E&T Development Zone of Jiaozhou, Qingdao, Shandong
P.R. China (266300)

Tel: +86-532-81123916 / 81123920

Fax: +86-532-81123924

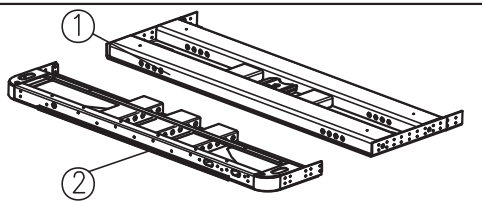
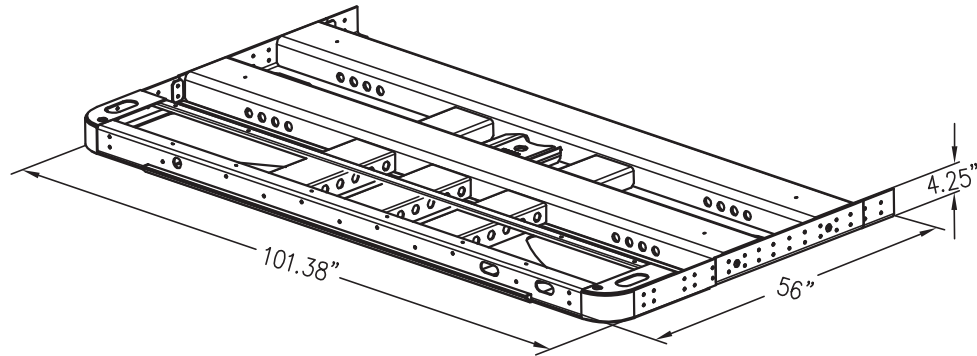
E-mail: customer_service_qctc@cimc.com

[Http://www.cimc.com](http://www.cimc.com)

PARTS MANUAL

<u>Section</u>	<u>Page</u>
Section 1 Under Frame	1-6
Section 2 Floor System	7-12
Section 3 Front Wall	13-17
Section 4 Side Wall	18-20
Section 5 Roof	21-22
Section 6 Rear Door	23-28
Section 7 Rear Frame	29-30
Section 8 Rear Impact Guard	31
Section 9 Landing Gear Assy	32
Section 10 Inner Decoration	33-35
Section 11 Inner Decoration	36

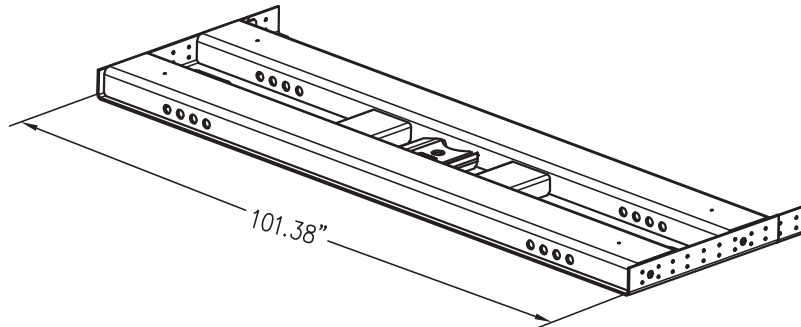
Section 1 Under Frame-Coupler



N8501100-1S001

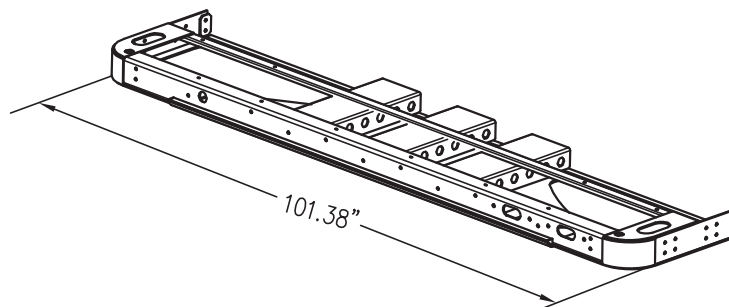
36"Kingpin location;4.25"Deep;1/4"Pickup plate;3/16"Approach plate

Main Beam Assembly



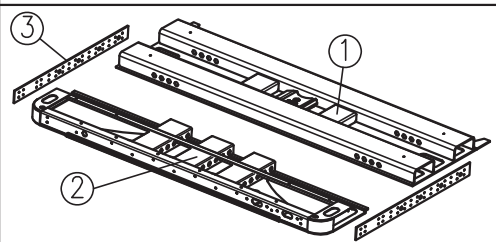
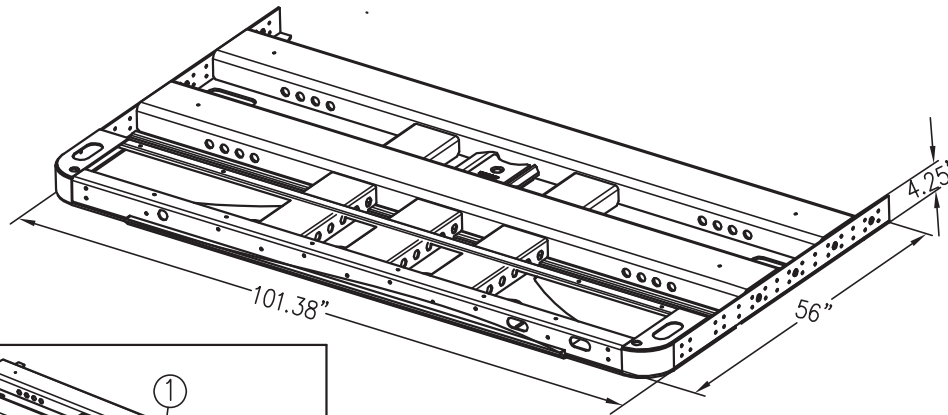
1 | N8501110-1S001 | 1/4"QSTE460TM Kingpin plate;Bendup side plate;5/16" QSTE550TM Main crossmember

Approach Plate Assembly



2 | N8501120-1S001 | 3/16"Approach plate;36" kingpin location

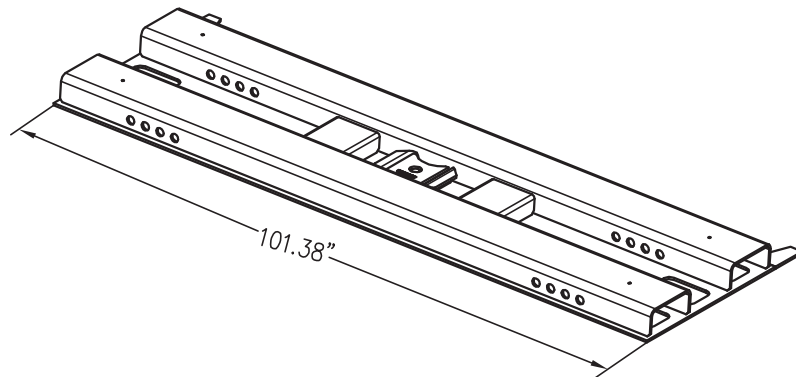
Section 1 Under Frame-Coupler



N8501100-1S001A

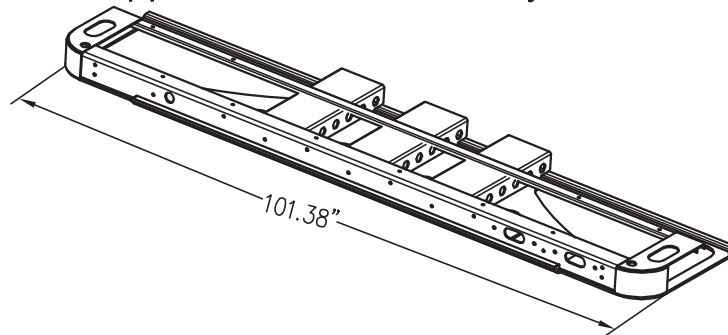
36" Kingpin Location; 4.25" Deep; 5/16" Pickup plate; 5/16" Approach plate

Main Beam Assembly



1 | N8501110-1S001A | 5/16" QSTE340TM Kingpin plate; 5/16" QSTE550TM Main crossmember

Approach Plate Assembly



Side Attach Plate

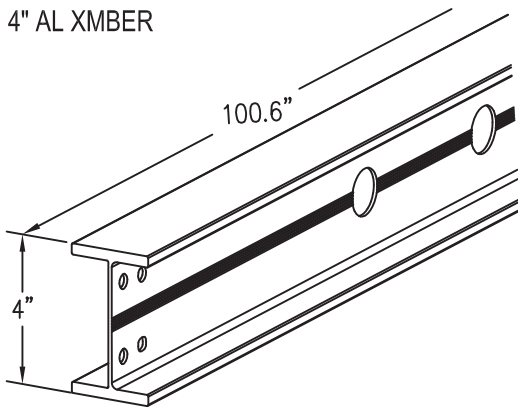


N8501115-S402

2 | N8501120-1S001A | 5/16" QSTE340TM Approach plate; For 36" kingpin location

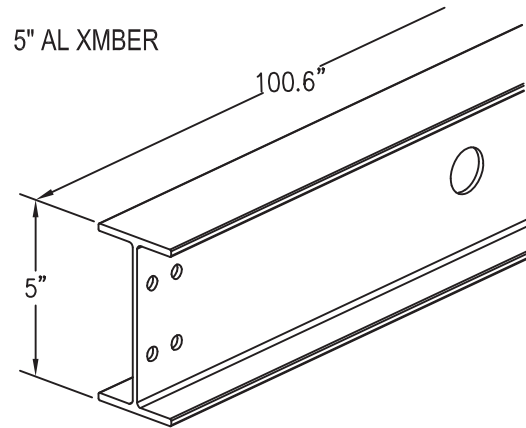
Section 1 Under Frame-Aluminum Crossmembers

4" AL XMBER



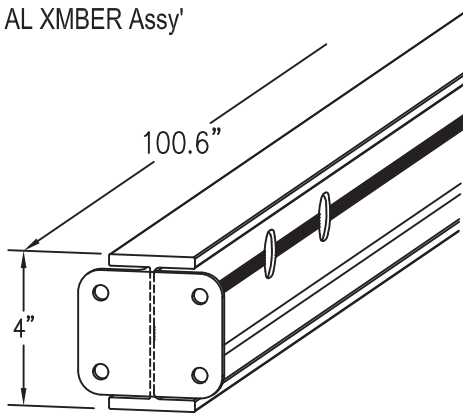
N8501211-A201 | 1.987 Lbs/Foot

5" AL XMBER



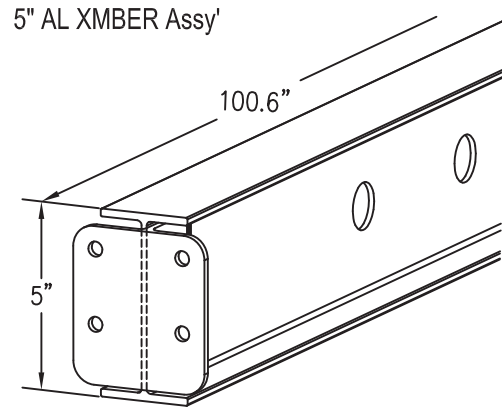
N8501211-A202 | 2.034 Lbs/Foot

4" AL XMBER Assy'



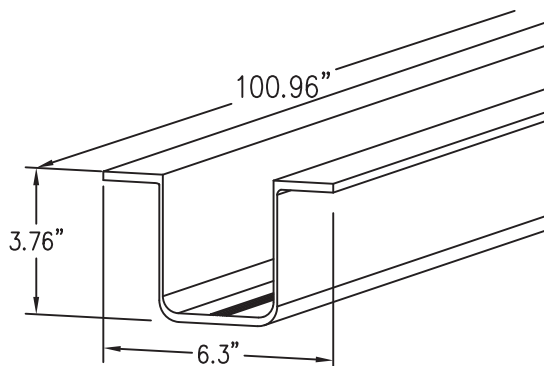
N8501210-1S001

5" AL XMBER Assy'



N8501210-1S002

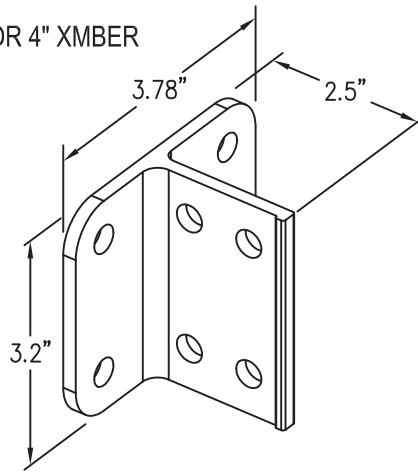
AL Hat XMBER



N8501221-A201 | 2.419 Lbs/Foot

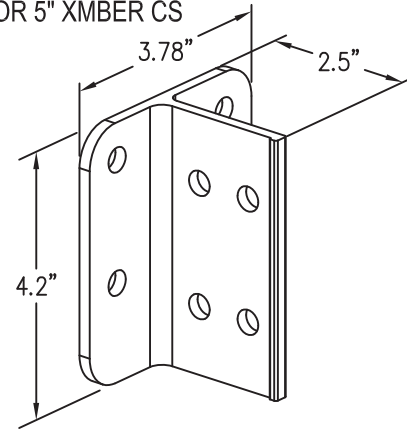
Section 1 Under Frame-Aluminum T-clips

T-CLIP FOR 4" XMBER



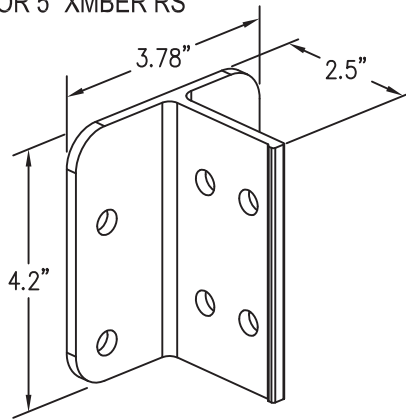
N8501212-A201 | 1.446 Lbs/Foot

T-CLIP FOR 5" XMBER CS

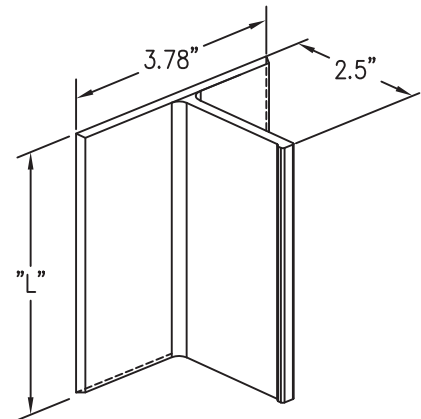


N8501212-A202 | 1.446 Lbs/Foot

T-CLIP FOR 5" XMBER RS



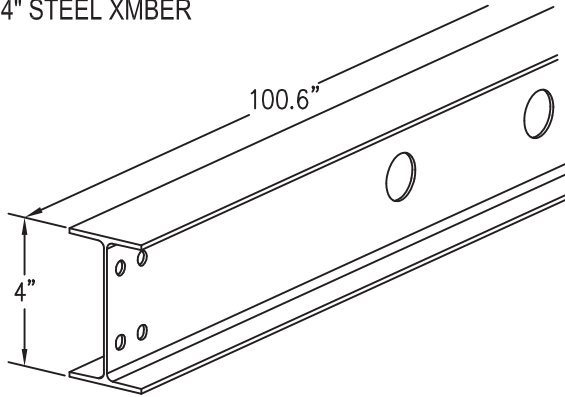
N8501212-A203 | 1.446 Lbs/Foot



8501212-001 | L:Customize | 1.446 Lbs/Foot

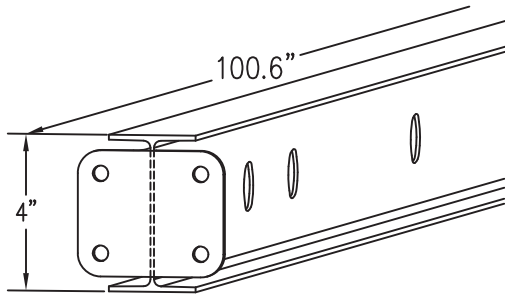
Section 1 Under Frame-Steel Crossmembers

4" STEEL XMBER



N8501211-G501 | 3.358 Lbs/Foot

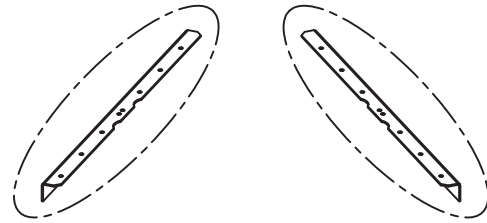
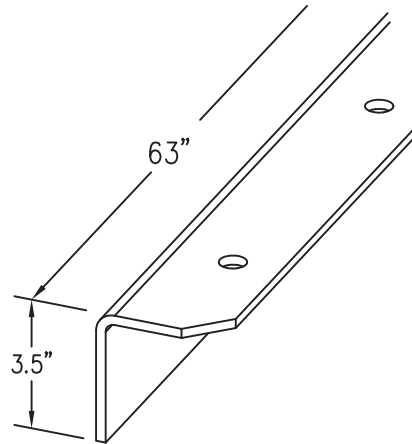
4" STEEL XMBER Assy'



N8501210-1S003

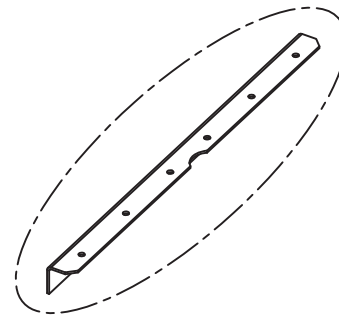
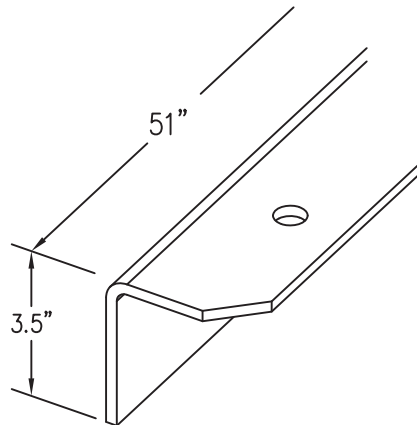
Section 1 Under Frame-Others

L.G. mounting angle



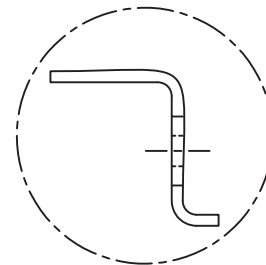
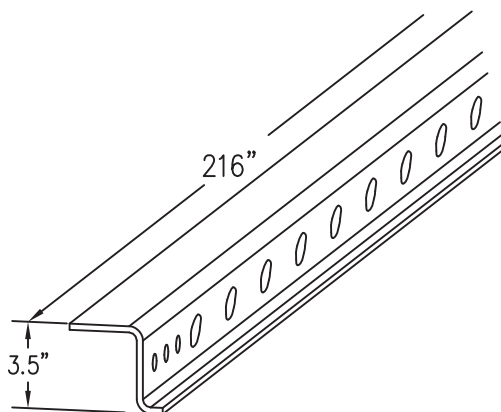
N8501311-G301	RS,5@12"XMBERS OVER L.G.
N8501321-G301	CS,5@12"XMBERS OVER L.G.

L.G. mounting angle



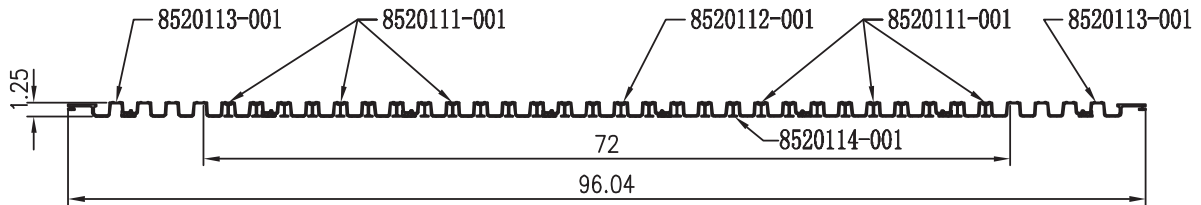
N8501311-G302	7 XMBERS@8" OVER L.G.
---------------	-----------------------

Slide Rail



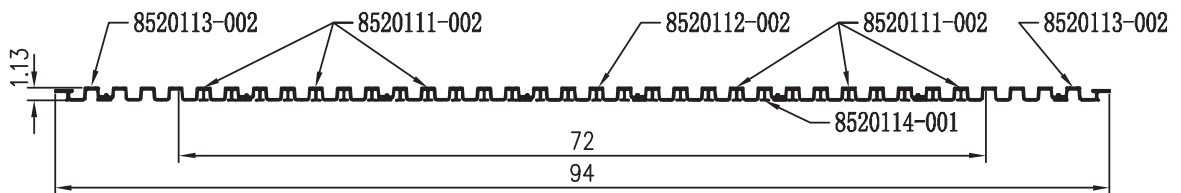
N8501431-G501

Section 2 Floor System-Aluminum Flooring



1.25" Duct Floor Assy | 620.2"

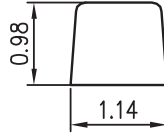
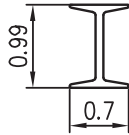
1.25" Duct Floor Main			1.25" Duct Floor Center			1.25" Duct Floor Side		
8520111-001	620.2"	3.074 Lbs/Foot	8520112-001	620.2"	2.587 Lbs/Foot	8520113-001	620.2"	1.464 Lbs/Foot
1.25" Floor Insert 8520114-001 48"			1.25" Floor Plug 8520115-001 0.5" & 1"					



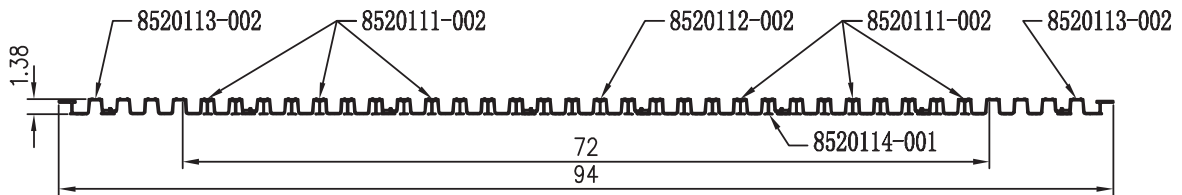
1.13" Duct Floor Assy | 620.2"

1.13" Duct Floor Main			1.13" Duct Floor Center			1.13" Duct Floor Side		
8520111-002	620.2"	2.921 Lbs/Foot	8520112-002	620.2"	2.515 Lbs/Foot	8520113-002	620.2"	1.079 Lbs/Foot

Section 2 Floor System-Aluminum Flooring

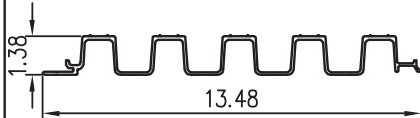


1.13" Floor Insert	8520114-002	48"	1.13" Floor Plug	8520115-002	0.5"&1"
--------------------	-------------	-----	------------------	-------------	---------

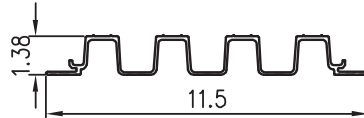


1.38" Duct Floor Assy	620.2"
-----------------------	--------

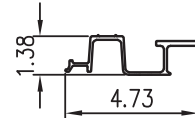
1.38" Duct Floor Main



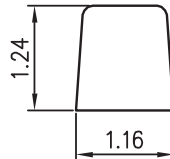
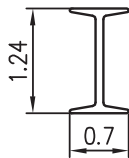
1.38" Duct Floor Center



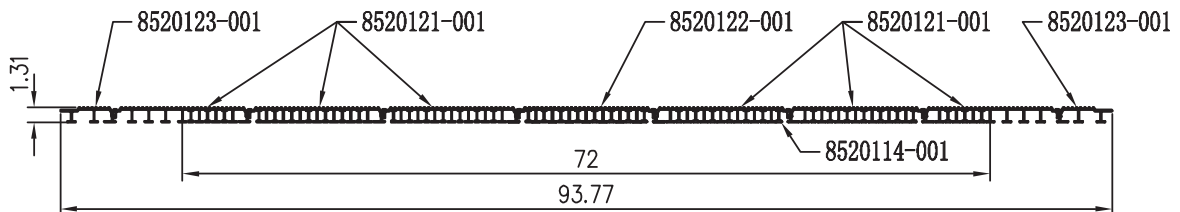
1.38" Duct Floor Side



8520111-003	620.2"	3.183 Lbs/Foot	8520112-003	620.2"	2.724 Lbs/Foot	8520113-003	620.2"	1.165 Lbs/Foot
-------------	--------	----------------	-------------	--------	----------------	-------------	--------	----------------

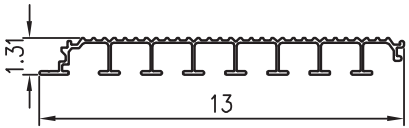
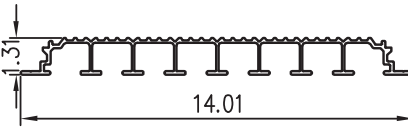
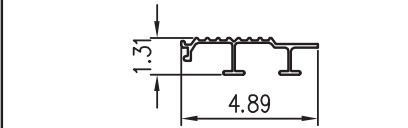
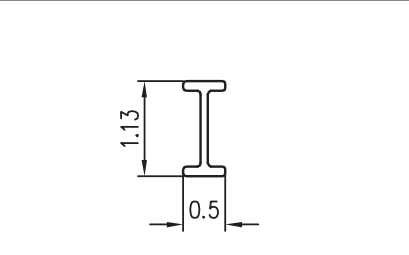


1.38" Floor Insert	8520114-003	48"	1.38" Floor Plug	8520115-003	0.5"&1"
--------------------	-------------	-----	------------------	-------------	---------

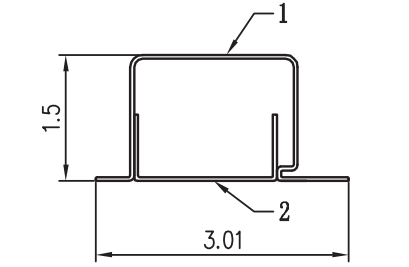


1.31" Flat Floor Assy	620.2"
-----------------------	--------

Section 2 Floor System-Aluminum Flooring

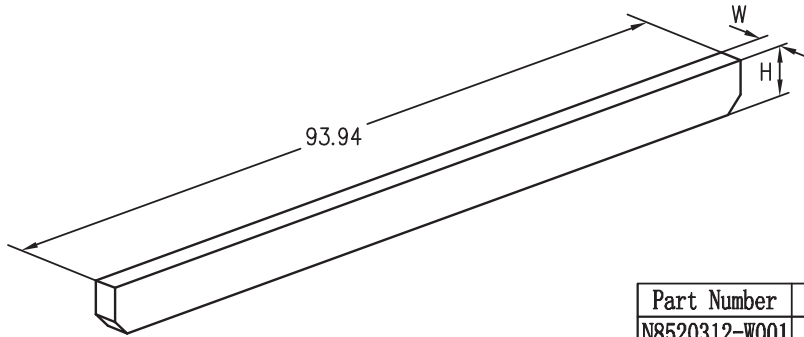
1.31" Flat Floor Main			1.31" Flat Floor Center			1.31" Flat Floor Side		
								
8520121-001	619.1"	3.540 Lbs/Foot	8520122-001	619.1"	3.785 Lbs/Foot	8520123-001	619.1"	1.228 Lbs/Foot
								
1.31" Floor Insert		8520124-001	48"					

Floor Conduits

								
1	Conduit Cover	8520313-001	625.8"					
2	Conduit Base	8520314-001	625.8"					

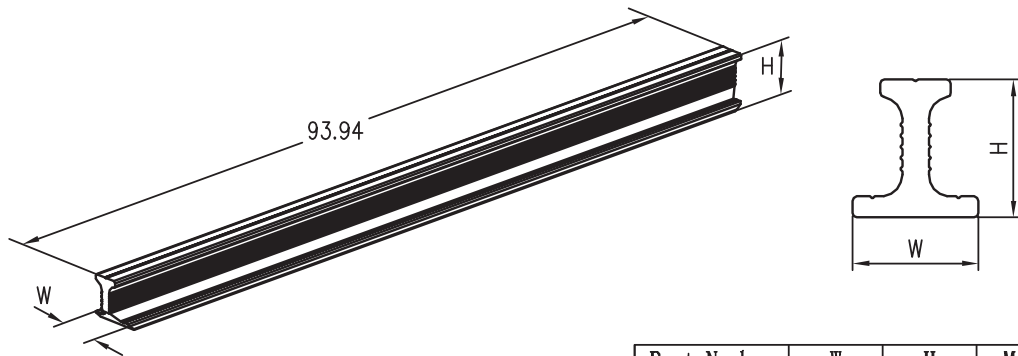
Section 2 Floor System-Floor Sills

Wood Floor sills



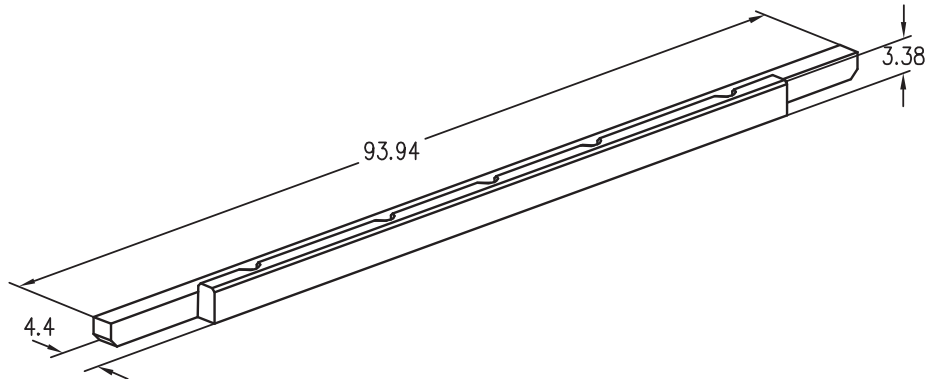
Part Number	W	H	Material
N8520312-W001	1.25"	2.46"	APITONG
N8520312-W002	2.25"	2.34"	APITONG
N8520312-W003	1.25"	2.95"	APITONG
N8520312-W004	2.25"	2.84"	APITONG

Composite Floor sills



Part Number	W	H	Material
N8520312-P001	2.25"	2.46"	Composite
N8520312-P002	2.25"	2.95"	Composite

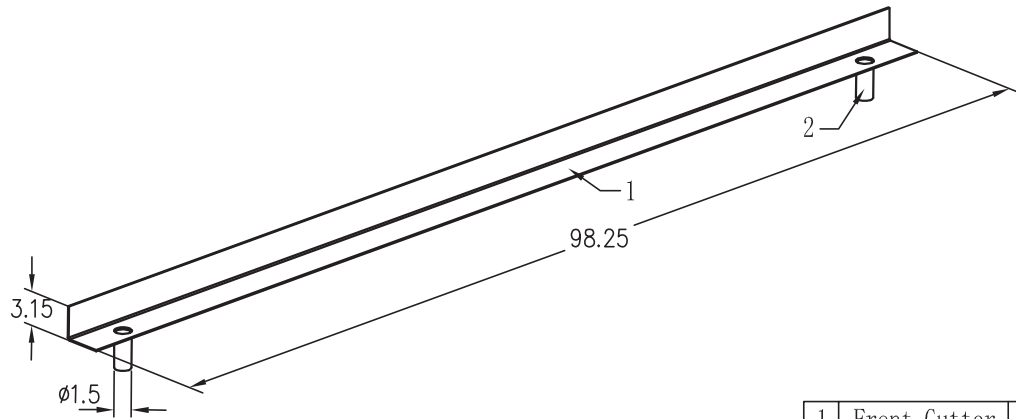
Composite Floor sills



N8520312-P301	Composite
---------------	-----------

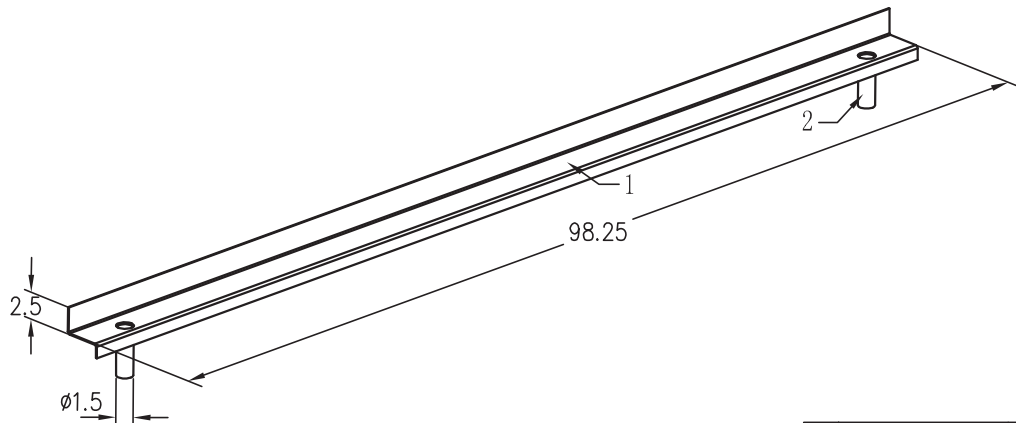
Section 2 Floor System-Front Gutter Assemblies

Duct Floor Front Gutter



1	Front Gutter	N8520211-A901
2	Drain tube	8500061-A201

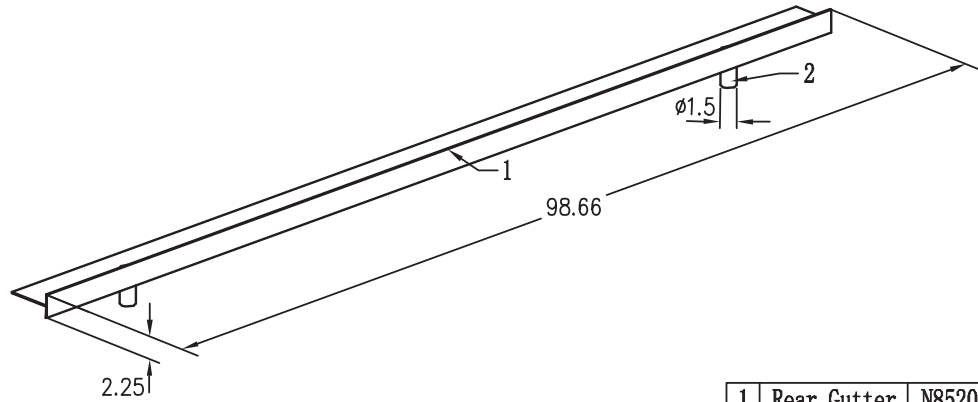
Flat Floor Front Gutter



1	Front Gutter	N8520211-A902
2	Drain tube	8500061-A202

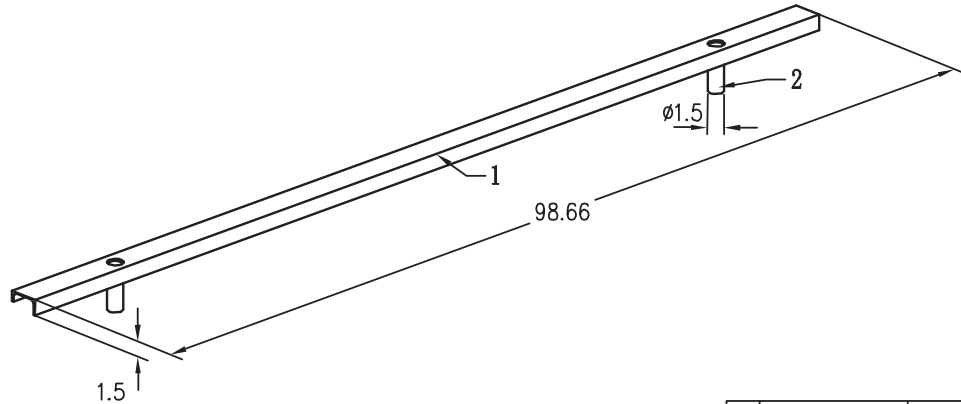
Section 2 Floor System-Rear Gutter Assemblies

Duct Floor Rear Gutter

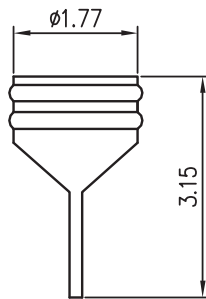


1	Rear Gutter	N8520212-A201
2	Drain tube	8500061-A201

Flat Floor Rear Gutter



1	Rear Gutter	N8520212-A202
2	Drain tube	8500061-A202

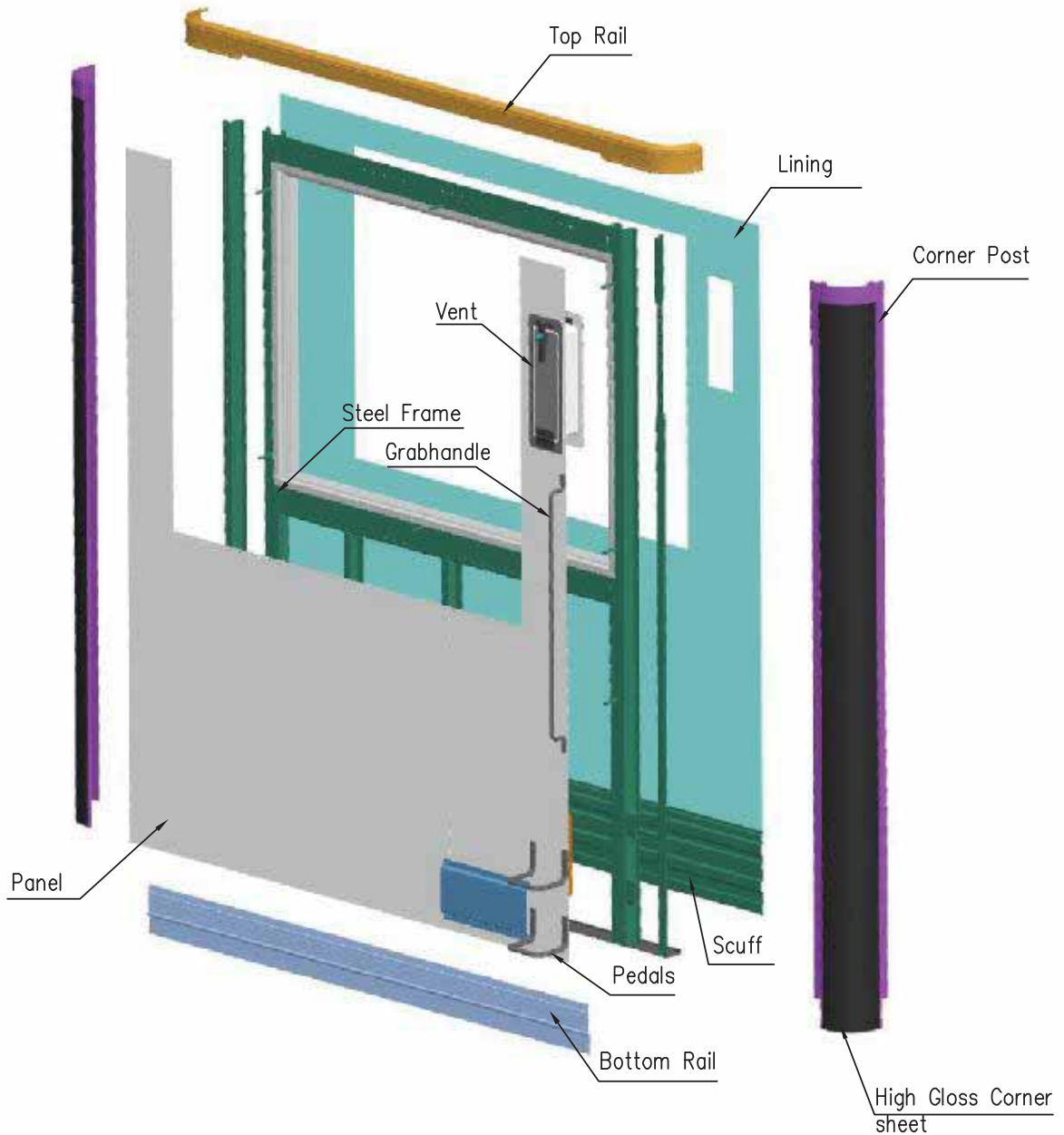


Kazoo BL31-A04-E0 EPDM



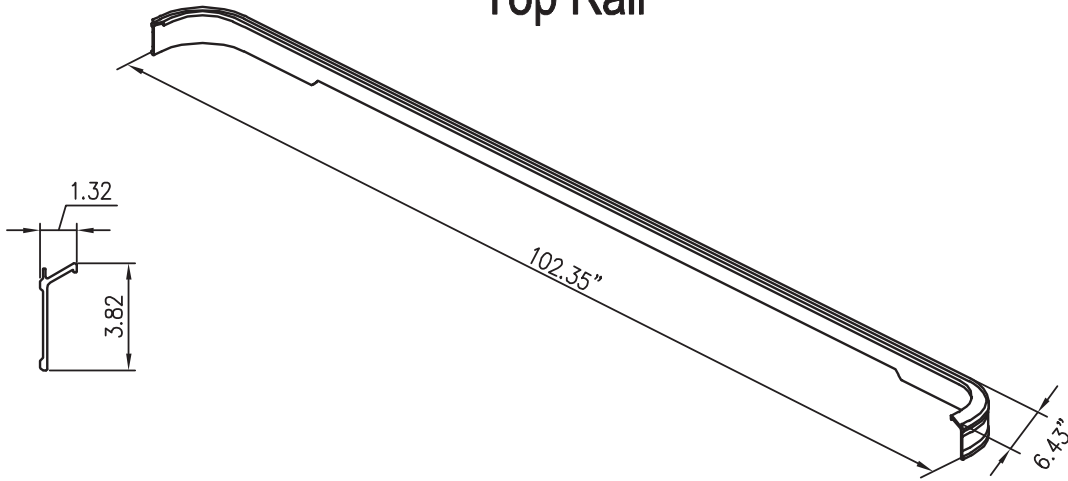
Steel Clamp Clamp Range Φ 1.06-2"

Section 3 Front Wall-With Front Vent



Section 3 Front Wall Parts

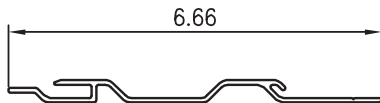
Top Rail



N8504321-A201

Front Scuff

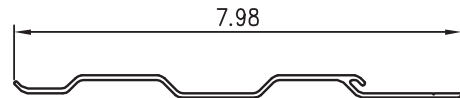
Front top scuff



8521311-001

97.48"

Front middle scuff



8521312-001

97.48"

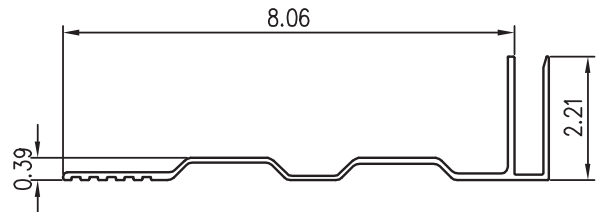
Front bottom scuff



8521313-001

97.48"

Front bottom scuff

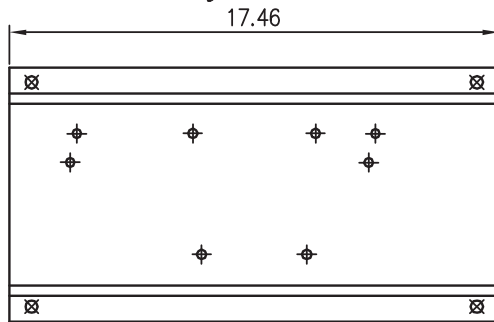


8512114-002

97.48"

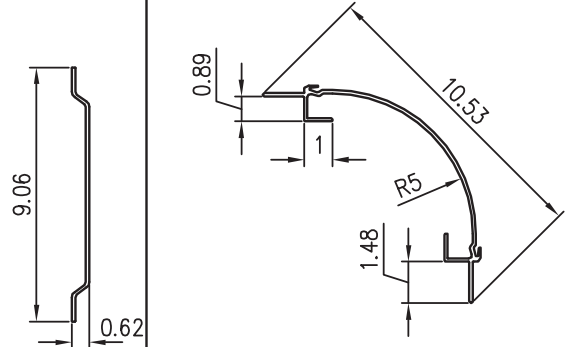
Section 3 Front Wall Parts

7-Way Socket Bracket



N8504801-A201 | 17.46"

Corner Post



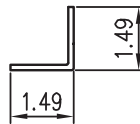
8504111-001 | 117.75"

Unit frame PVC

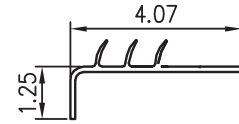
Bottom Rail



8504401-001 | 89.41"

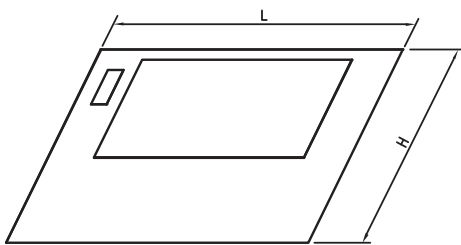


8504651-001 | 70.04"



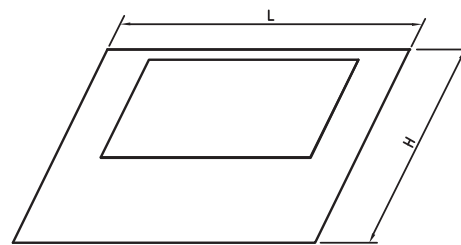
8504652-001 | 69.31"

Front lining



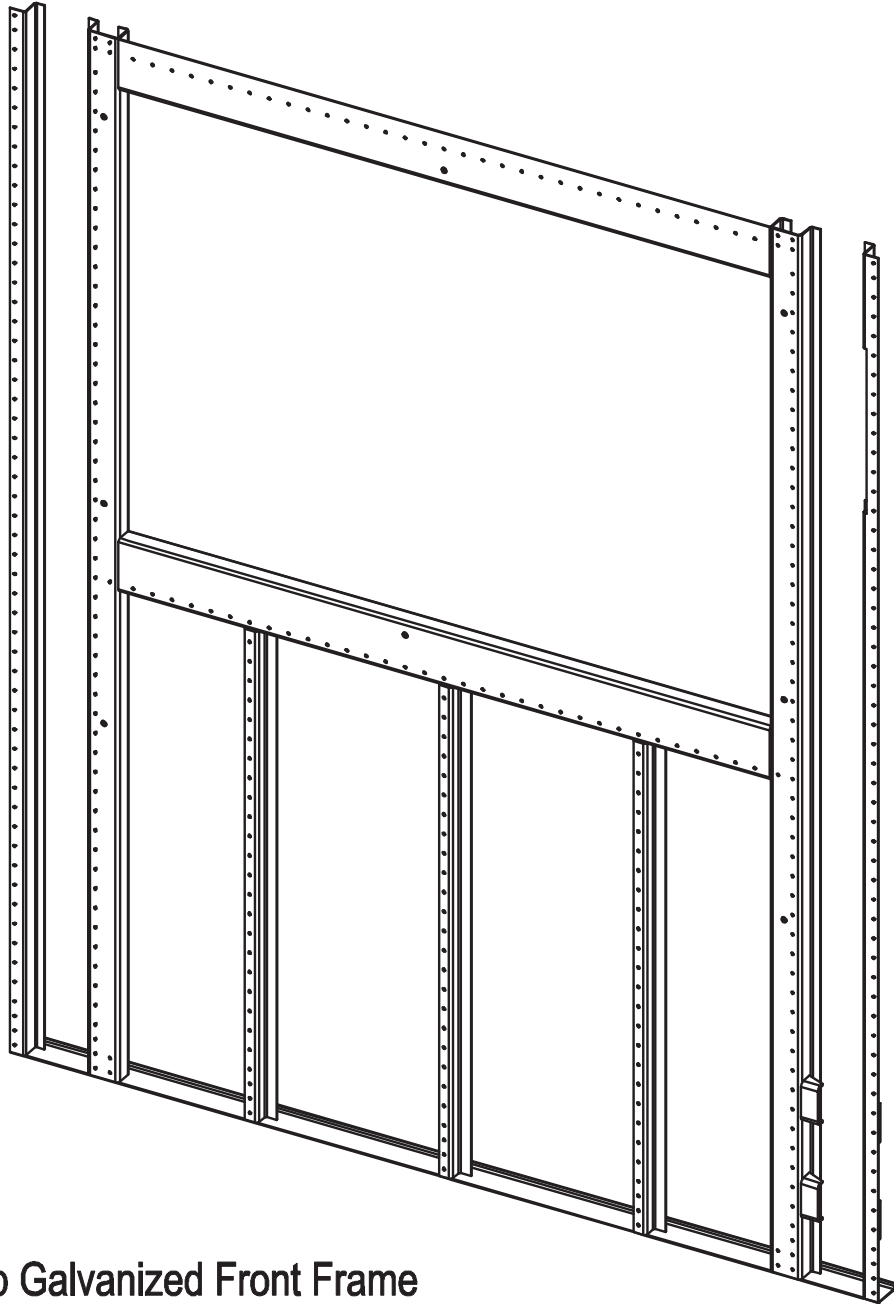
Part Number	T	H	L	Material
N8504711-F101	0.075"	92.59"	97.48"	FRP
N8504711-V101	0.06"	92.59"	97.48"	VR2
N8504711-V102	0.06"	102.8"	97.48"	VR2

Front lining



Part Number	T	H	L	Material
N8504711-F102	0.075"	92.59"	97.48"	FRP
N8504711-V103	0.06"	85.94"	97.48"	VR2
N8504711-V102	0.06"	92.59"	97.48"	VR2

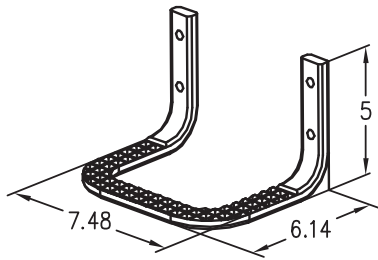
Section 3 Front Wall Parts



Hot Dip Galvanized Front Frame

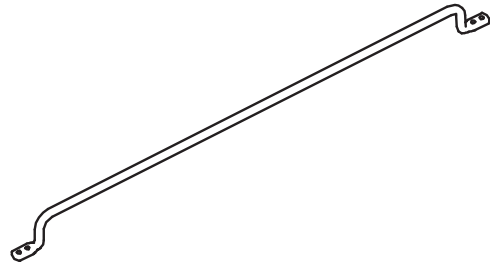
Section 3 Front Wall Parts

Pedal



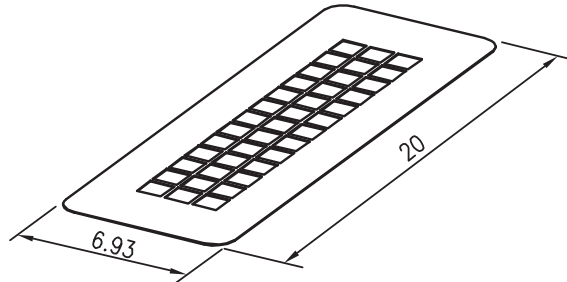
N8504641-U001	SUS304
N8504641-4502	45# Chromeplate

Grabhandle



N8514115-U001	Grabhandle SUS304 36" Length
---------------	------------------------------

Front Vent Screen

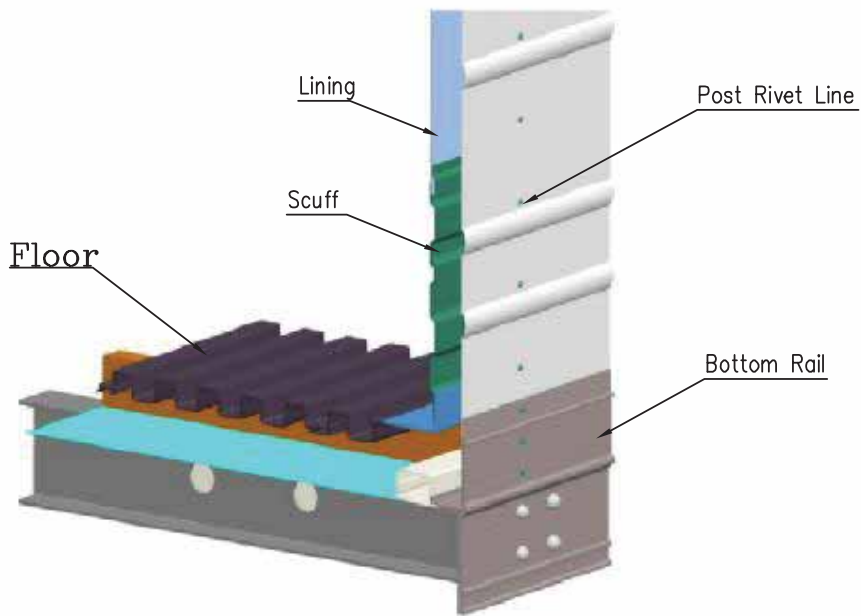
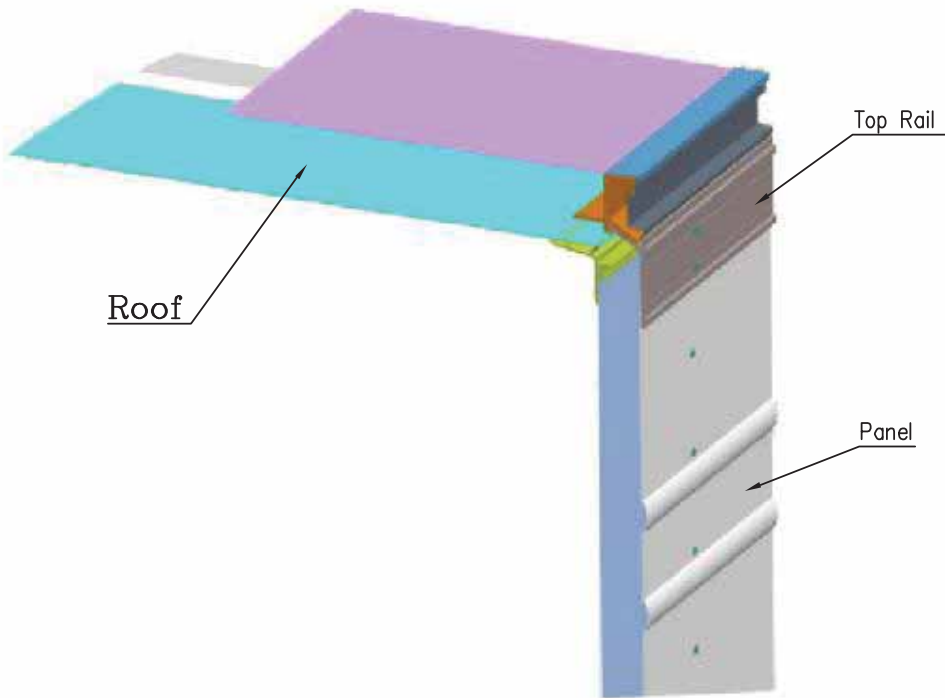


N8504621-U001

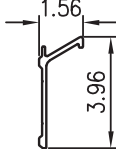
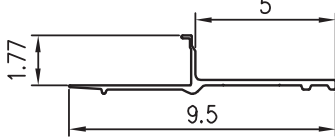
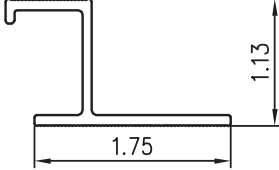
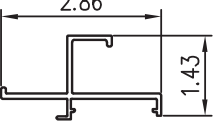
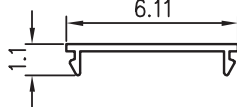

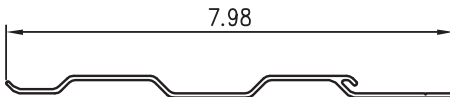
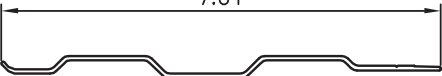
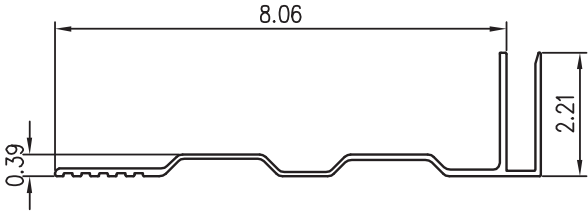


Penz/P-1084

Section 4 Side Wall Assembly



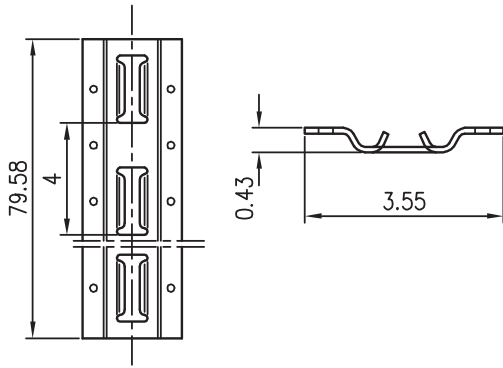
Section 4 Side Wall Parts

<p>Top rail</p>  <p>8521211-002 623.64"</p>	<p>Bottom rail</p>  <p>8521201-001 623.64"</p>	<p>Side post</p>  <p>8521102-001 107.36"</p>
<p>Side end post</p>  <p>8521102-002 107.36"</p>	<p>Side end post cover</p>  <p>8521102-003 101.34"</p>	
<h3>Scuff</h3>		
<p>Side top scuff</p>  <p>8521311-001 622.76"</p>	<p>Side middle scuff</p>  <p>8521312-001 622.76"</p>	
<p>Side bottom scuff</p>  <p>8521313-001 622.76"</p>	<p>Side bottom scuff</p>  <p>8512114-002 622.76"</p>	



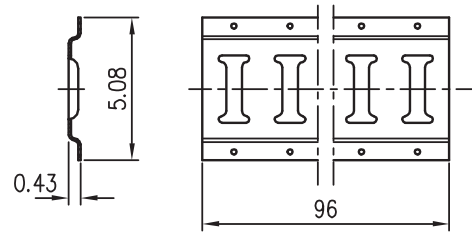
Section 4 Side Wall Parts

Vertical E track



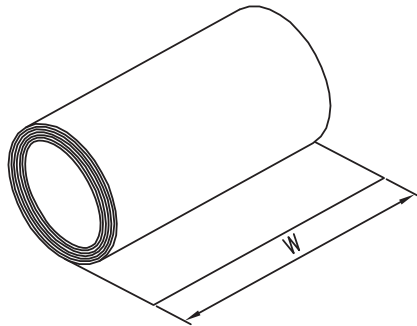
N8521341-S001 79.58"

Horizontal E track



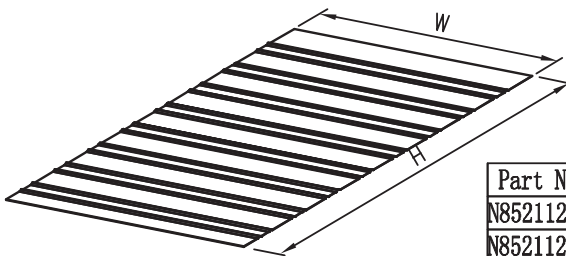
N8521342-S001 96"

Side Lining



Part Number	T	W	L	Material
N8521301-P001	0.075"	92.02"	622.76"	FRP
N8521301-P002	0.075"	92.52"	622.76"	FRP
N8521301-V001	0.06"	92.02"	622.76"	VR2
N8521301-V002	0.06"	92.52"	622.76"	VR2

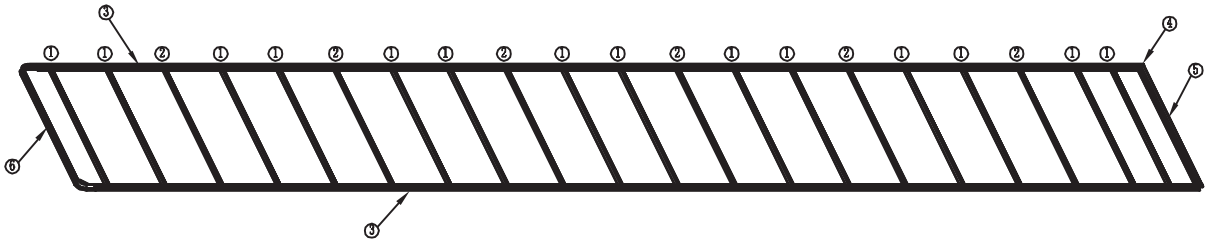
Side Sheet



Part Number	T	W	H	Material	Color
N8521121-AC01	0.04"	49"	102.69"	5052-H46	PPW RAL 9010
N8521121-AC02	0.05"	49"	102.69"	5052-H46	PPW RAL 9010
N8521122-AC01	0.04"	49"	102.69"	5052-H46	PPW RAL 9010
N8521122-AC02	0.05"	49"	102.69"	5052-H46	PPW RAL 9010
N8521122-AC03	0.04"	32.22"	102.69"	5052-H46	PPW RAL 9010
N8521123-AC01	0.04"	49"	102.69"	5052-H46	PPW RAL 9010
N8521123-AC02	0.05"	49"	102.69"	5052-H46	PPW RAL 9010

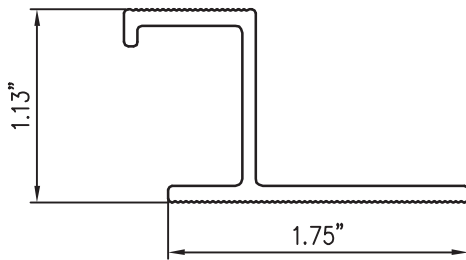
Section 5 Roof Assembly

Roof frame structure



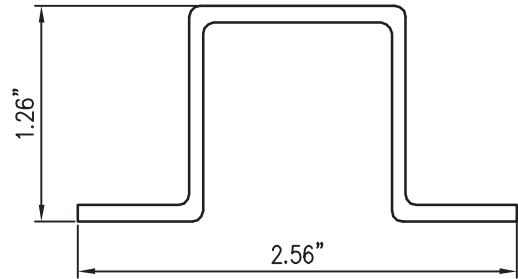
N8510300-1S001

Roof bow 1



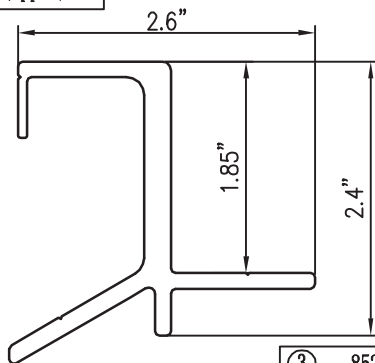
① 8521102-001

Roof bow 2



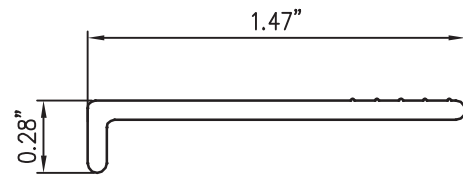
② SA-W2

Top side rail (upper)



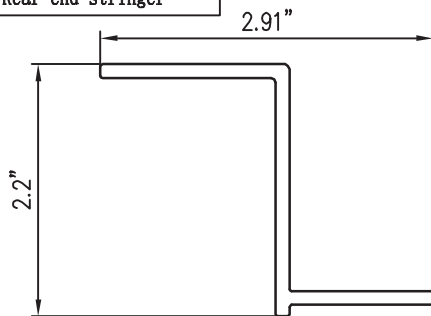
③ 8521211-001

Roof cover



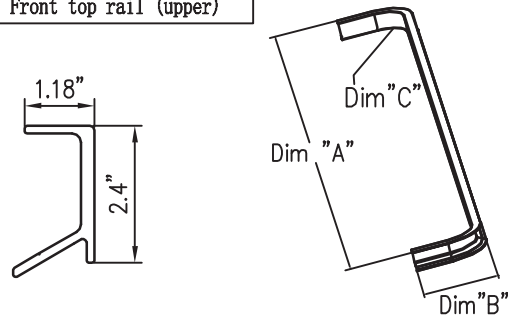
④ 8510351-001

Rear end stringer



⑤ 8521211-001

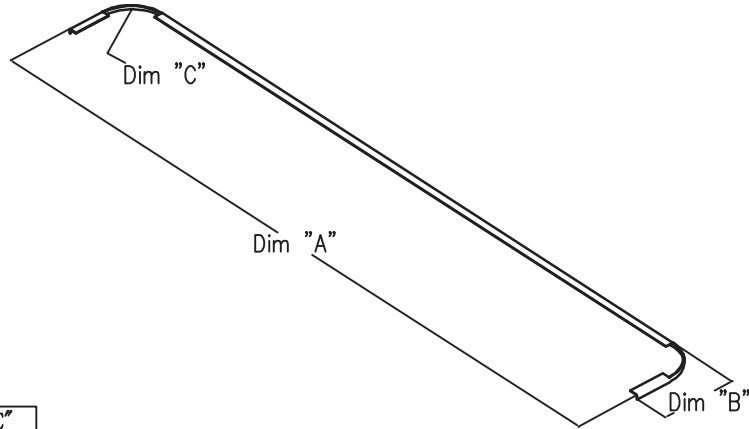
Front top rail (upper)



Dim "A": 101.24" Dim "B": 10" Dim "C": 3.67" ⑥ N8510371-A201

Section 5 Roof Assembly

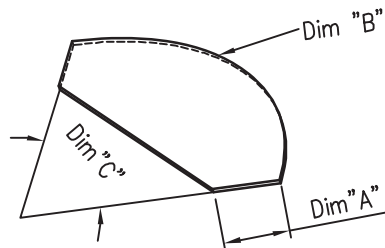
Roof front cover plate



Dim "A"	Dim "B"	Dim "C"
101.42"	10"	5"

N8510353-A901

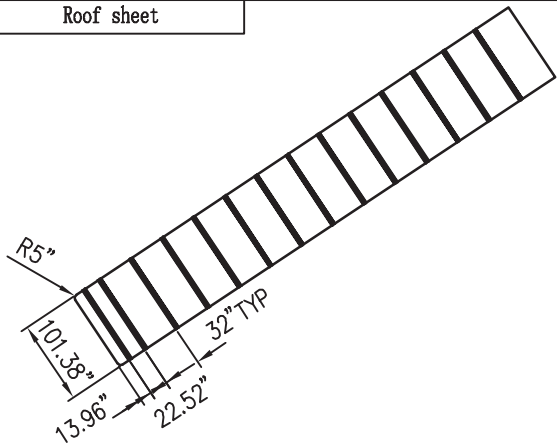
Roof cap



Dim "A"	Dim "B"	Dim "C"
1.26"	10"	90°

N8510931-A901

Roof sheet

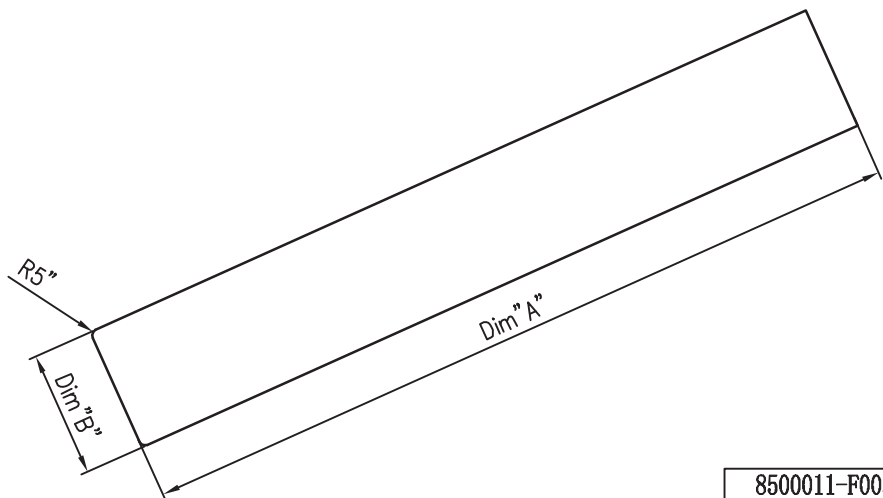


Corrugations

20

N8510101-A901

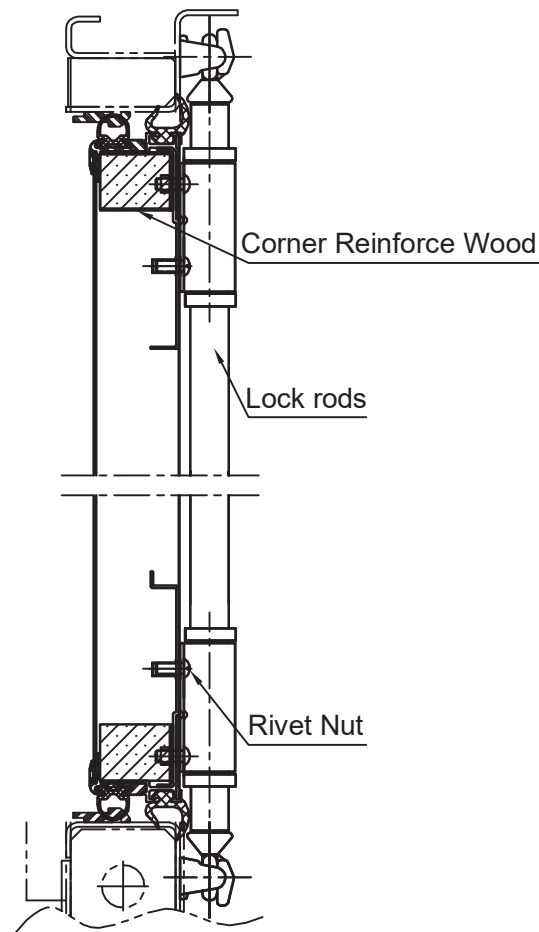
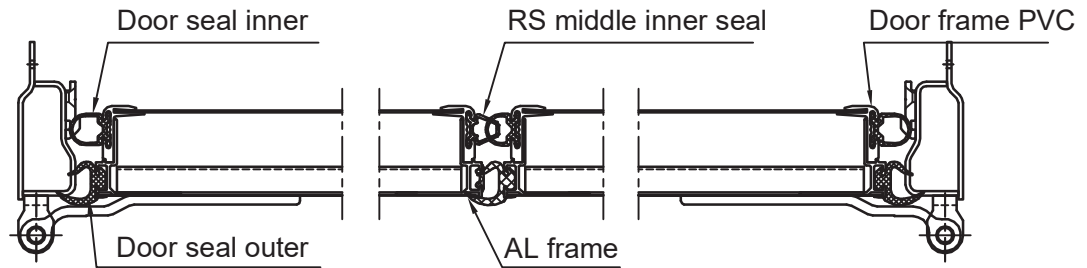
Roof frame structure



Dim "A"	Dim "B"	Thickness	Material
628.2"	98.6"	0.6"	FRP

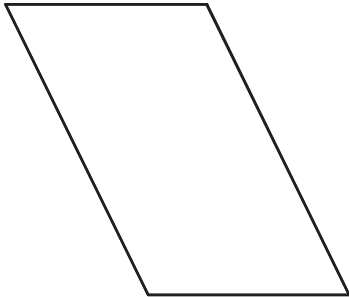
8500011-F003

Section 6 Rear Door Assembly



Section 6 Rear Door Parts


Roof panel 1



Material	Dimension
White AL.	0.05"X47.84"X102.3"

N8514102-AC01

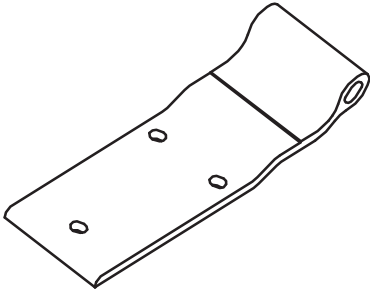
Roof panel 2



Material	Dimension
Quilted SUS304.	0.022"X47.84"X102.8"

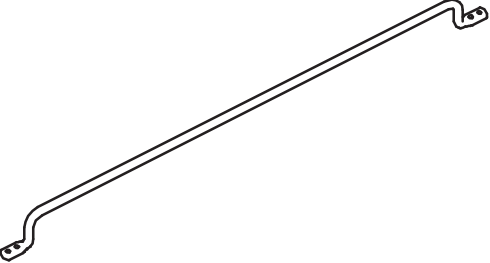
N8514102-U802

Aluminum Hinge Strap Pines



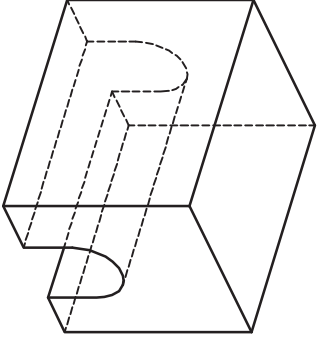
N8514104-A201

Grabhandle



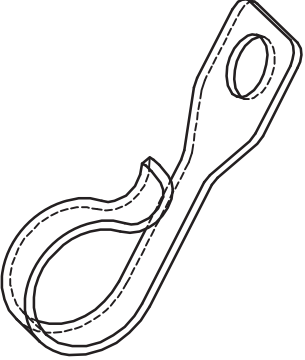
N8514115-U001

Corner reinforce wood



N8514117-W001

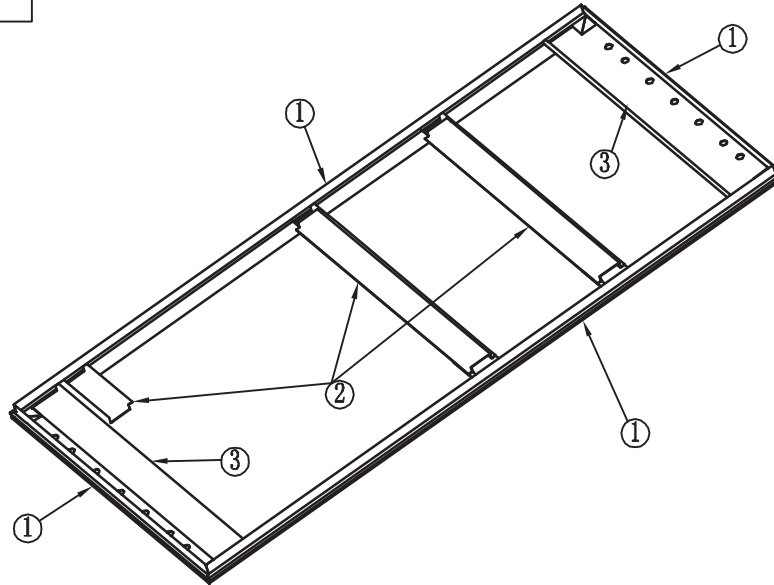
Door holder fasten clip



N8514132-U001

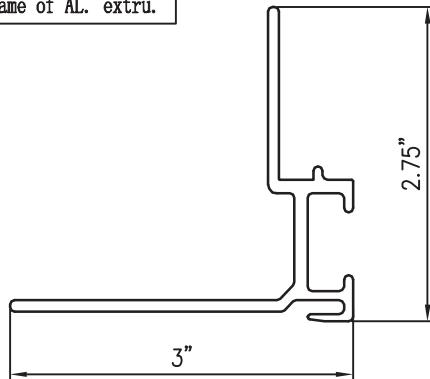
Section 6 Rear Door Parts

Door frame structure



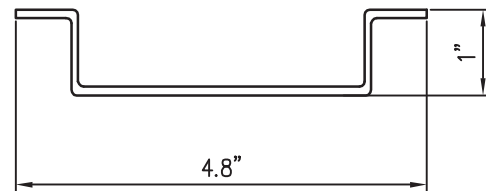
N8514000-1S001

Door frame of AL. extru.



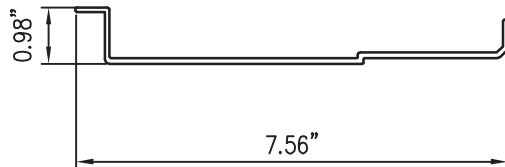
① 8514101-001

Roof frame structure



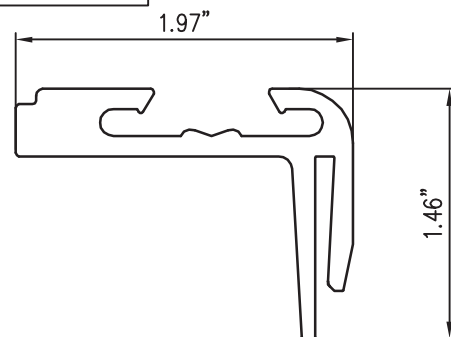
② 8514103-002

Door reinforcement



③ 8514103-001

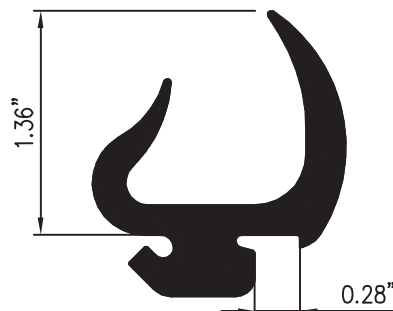
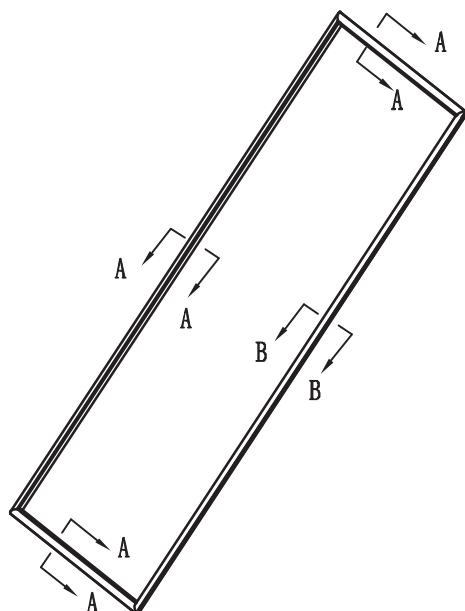
Door frame of pvc



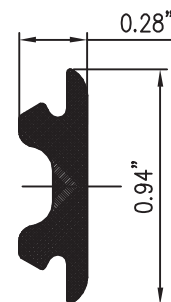
8514119-001

Section 6 Rear Door Parts

Door seal outer



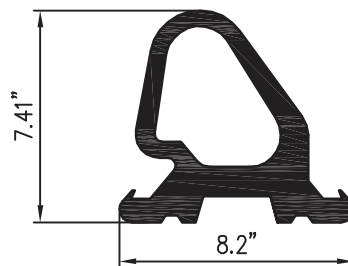
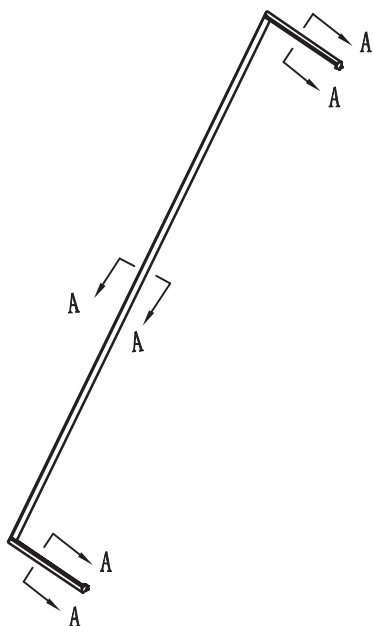
Section A-A



Section B-B

N8514111-E001

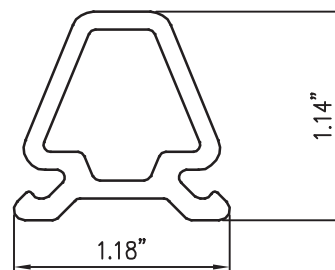
Door seal inner 1



Section A-A

N8514111-E002

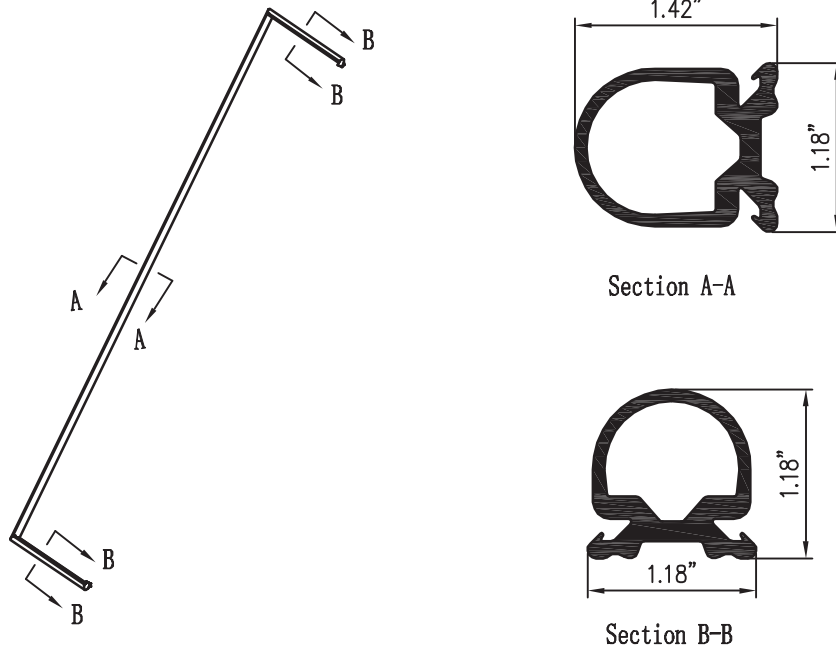
Door middle pvc seal



8514108-001

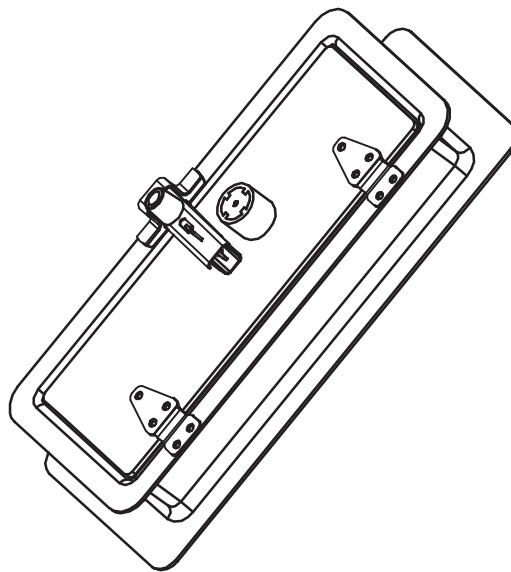
Section 6 Rear Door Parts

Door seal inner 2



N8514112-E001

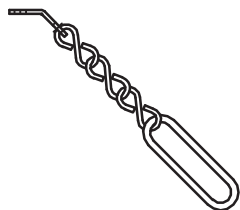
Door vent



P-1081

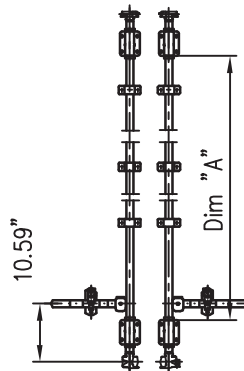
Section 6 Rear Door Parts

Door holder



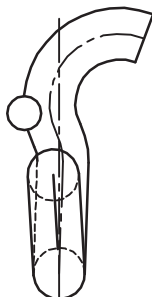
N8514130-1S004

Door lock rods



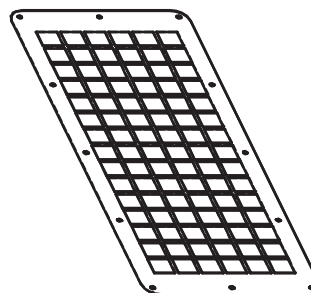
Material	A
SS41 GAL.	91.28"
SS41 GAL.	91.78"
SS41 GAL.	97.28"
SS41 GAL.	94.25"
SS41 GAL.	90.78"

Door hook



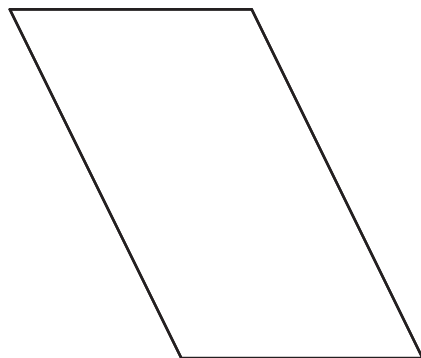
N8514163-S001

Door vent screen



N8514213-U001

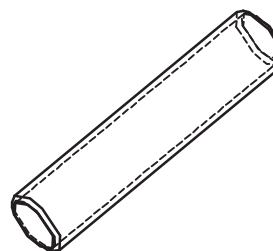
Door lining



Material	Dimension
Kemlite	0.075"X46.71"X101.18"

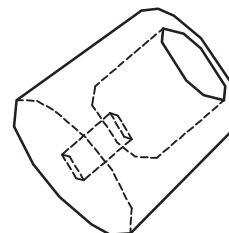
N8514209-F001

Bush 3" AL. Hinge



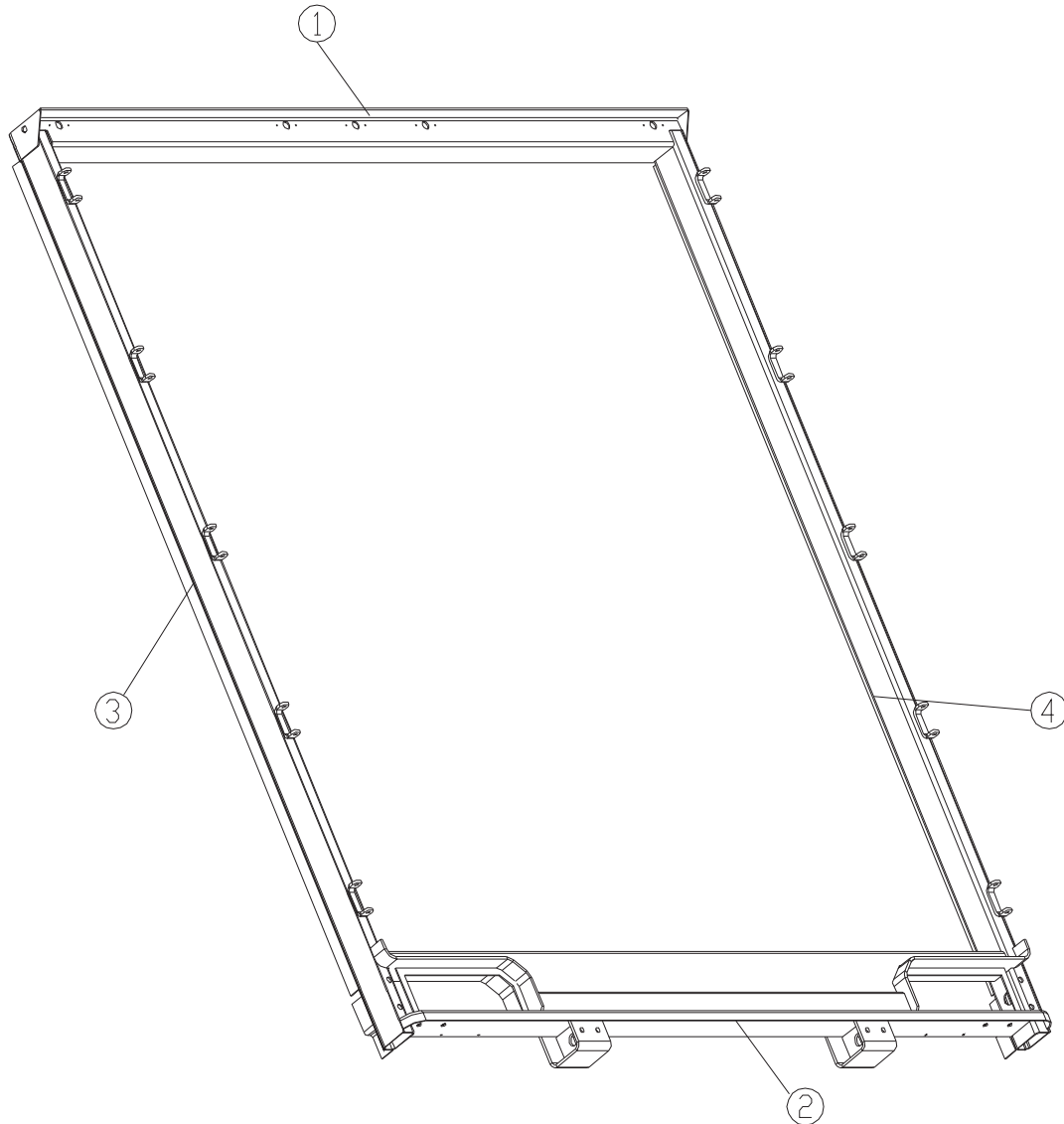
N8514105-N001

Door rubber bumper



DA09-A02-E0

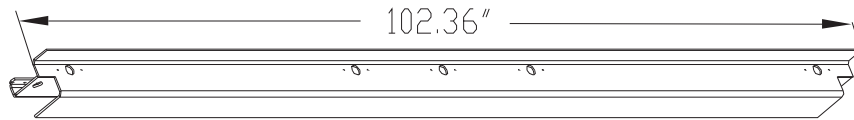
Section 7 Rear Frame Assembly



NO.	DESCRIPTION
1	DOOR HEADER
2	DOOR SILL
3	RS REAR POST
4	CS REAR POST

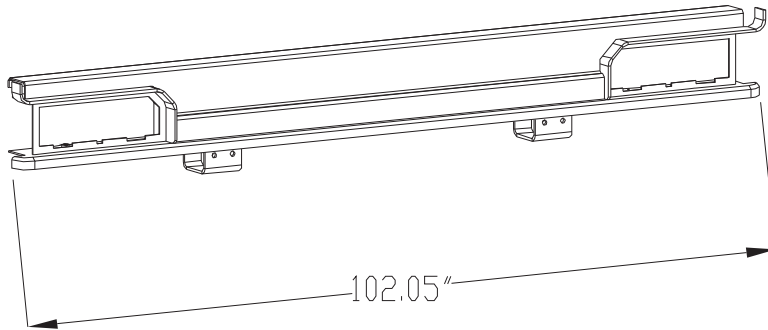
Section 7 Rear Frame Assembly

DOOR HEADER



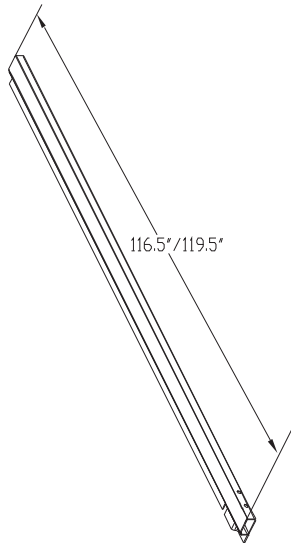
N8503100-1S001C

DOOR SILL

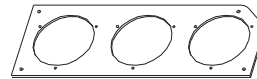


N8503200-1S001B

REAR POST

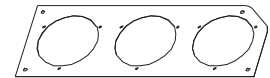


3 LIGHTS' PLATE



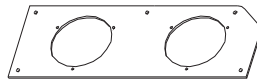
N8503214-A901&
N8503244-A901

3 LIGHTS' COVER PLATE



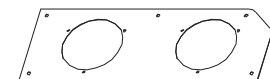
N8503231-U001&
N8503241-U001

2 LIGHTS' PLATE



N8503214-A902&
N8503244-A902

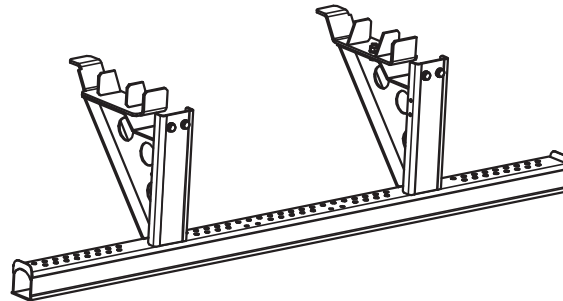
2 LIGHTS' COVER PLATE



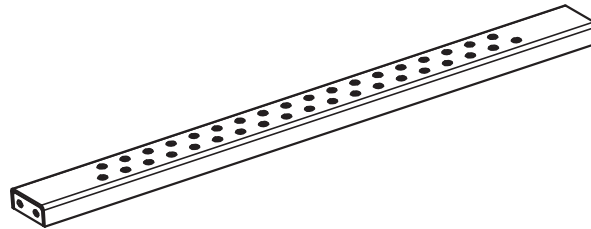
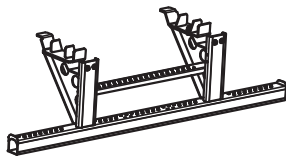
N8503231-U002&
N8503241-U002

CS REAR POST FOR 3" WEDGE	N8503320-1S001D
RS REAR POST FOR 3" WEDGE	N8503310-1S001D
CS REAR POST	N8503320-1S001C
RS REAR POST	N8503310-1S001C

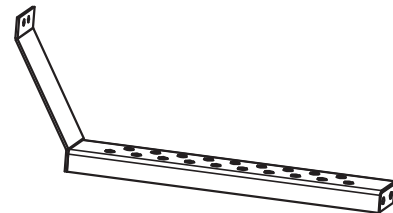
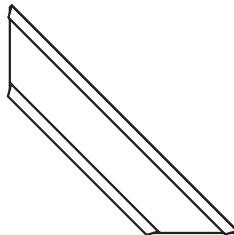
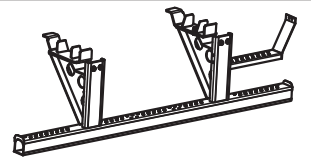
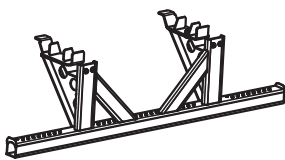
Section 8 Rear Impact Guard



1 N280400-1S001 Rear Impact Guard Meets CMVSS



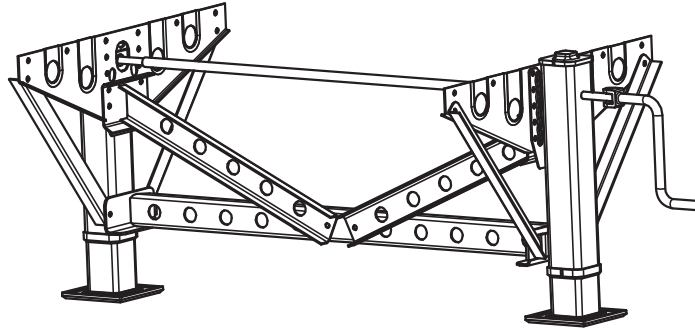
1 N2804210-1S001 Intermediate Step



1 N2804220-1S001 V-Brace Both Sides

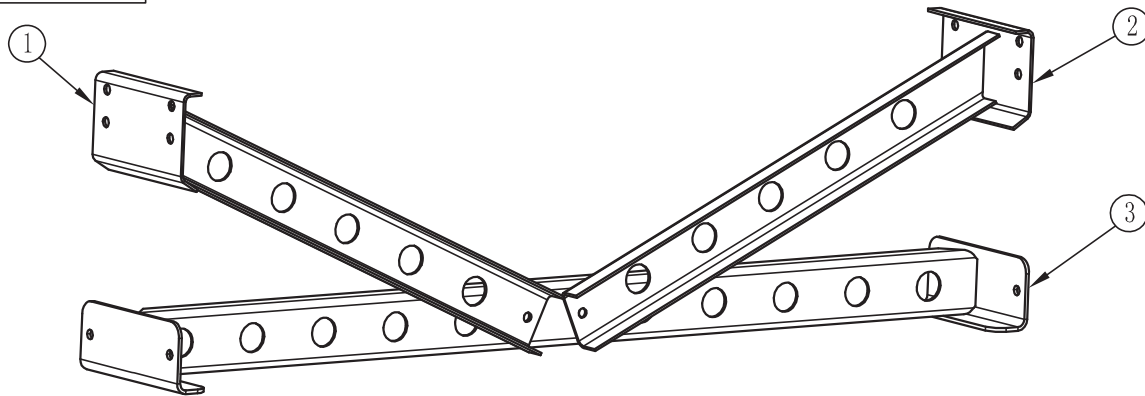
1 N2804230-1S001 Side Step

Section 9 Landing Gear Assembly



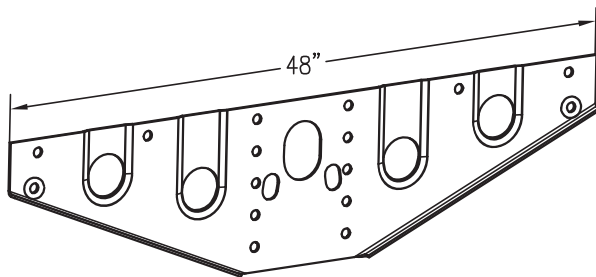
N2720000-1S001 Landing Gear For Holland & Jost Outboard Mounting

K Bracket Assy'



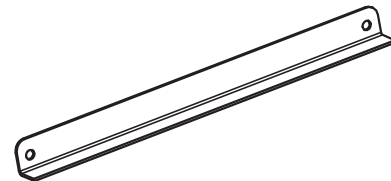
3	N2720140-1S001	Steel 50 KSI	
2	N2720130-1S001	Steel 50 KSI	Roadside
1	N2720120-1S001	Steel 50 KSI	Curbside

Wing Plate



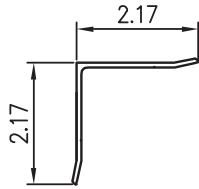
1 N2720110-1S001 Steel 50 KSI

Landing gear bracket

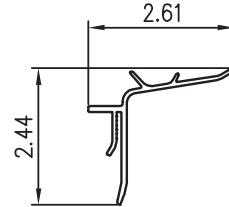


1 UCP00041-50 Steel 50 KSI

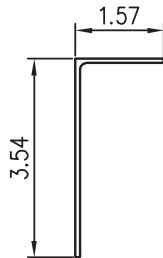
Section 10 Inner Decoration



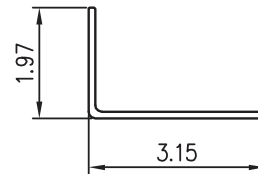
Front Top Cover	8512111-001	98.35"	PVC
-----------------	-------------	--------	-----



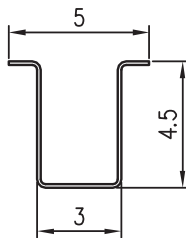
Side Top Cover	8512113-002	625"	PVC
----------------	-------------	------	-----



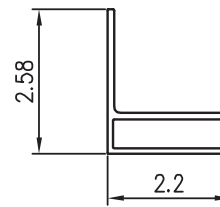
Front Side Cover	GA-W13	104.73"	AL
------------------	--------	---------	----



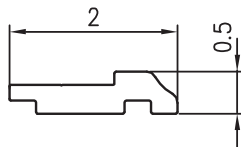
Side Bottom Cover	8512114-001	620.2"	AL
-------------------	-------------	--------	----



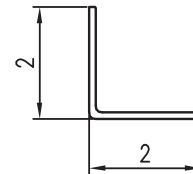
Pallet Stop	N8512123-A901	12"	AL
-------------	---------------	-----	----



Side Bottom Cover	8512114-003	620.2"	AL
-------------------	-------------	--------	----

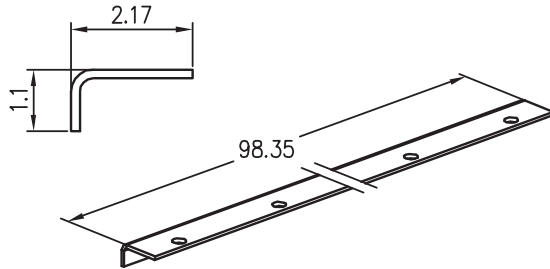


Top & Bottom PVC	8512115-001	98.78"	PVC
Side PVC	8512115-001	103.74"	PVC

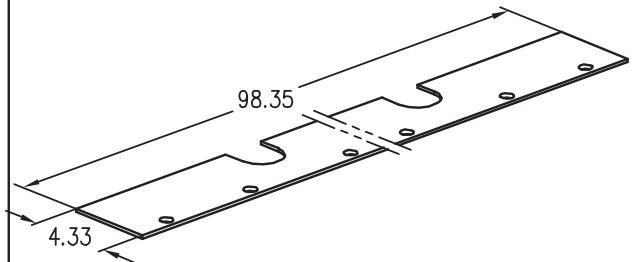


Side Bottom Cover	8512114-004	620.2"	AL
-------------------	-------------	--------	----

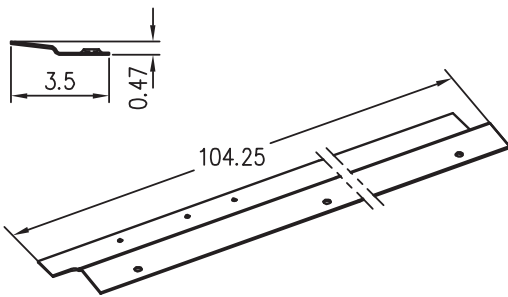
Section 10 Inner Decoration



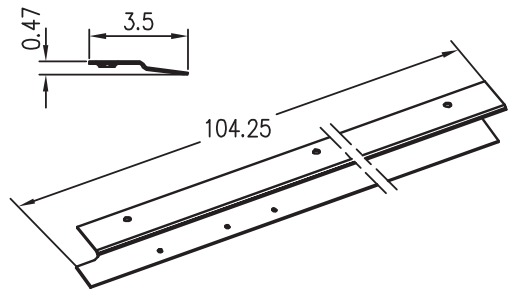
Duct Floor Doorsill Cover | N8512116-A902 | AL



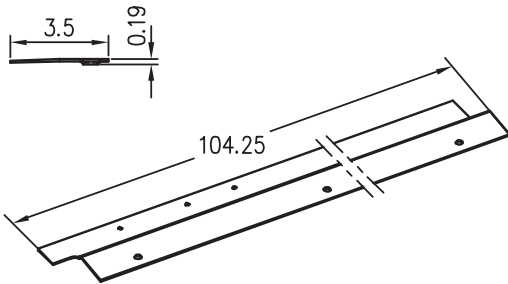
Flat Floor Doorsill Cover | N8512116-A904 | AL



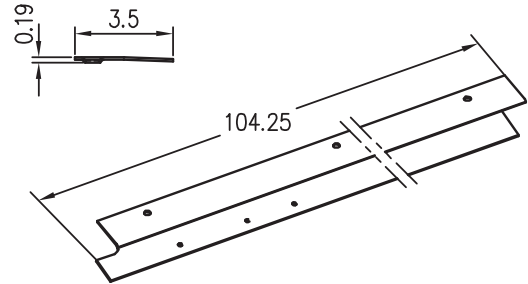
Rear Curbside Cover | N8512117-A901 | AL



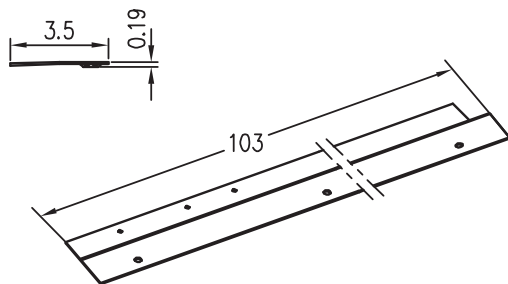
Rear Roadside Cover | N8512117-A902 | AL



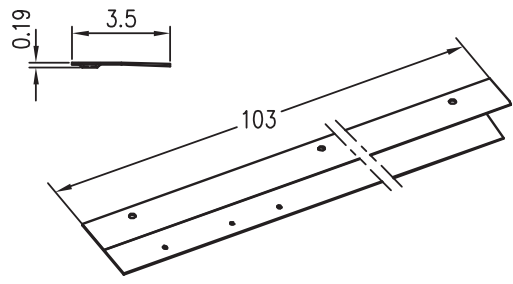
Rear Curbside Cover | N8512117-A913 | AL



Rear Roadside Cover | N8512117-A914 | AL

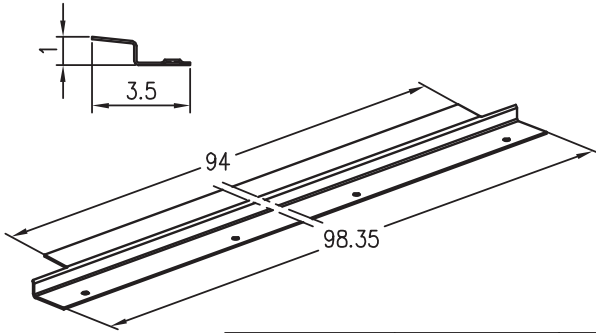


Rear Curbside Cover | N8512117-A917 | AL

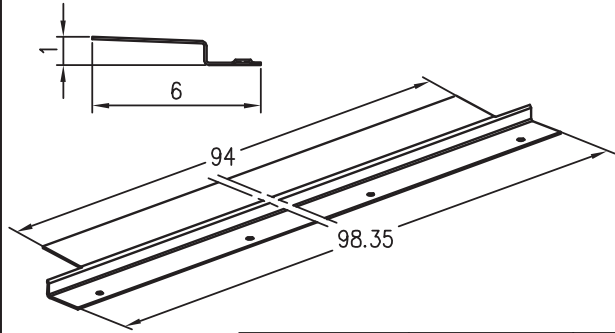


Rear Roadside Cover | N8512117-A918 | AL

Section 10 Inner Decoration

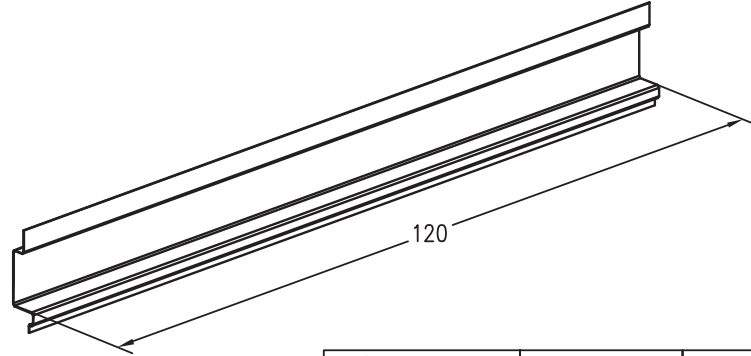
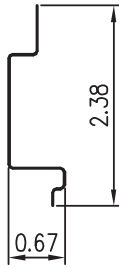


Rear Top Cover | N8512118-A904 | AL

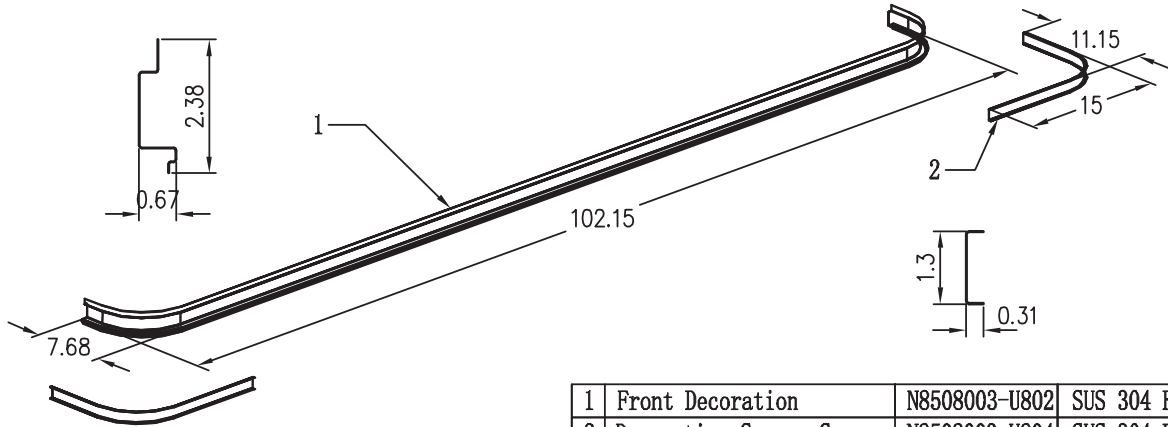


Rear Top Cover | N8512118-A905 | AL

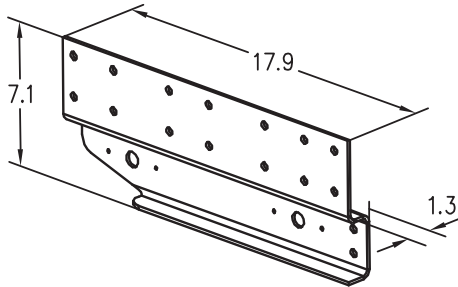
Section 11 Outer Decoration



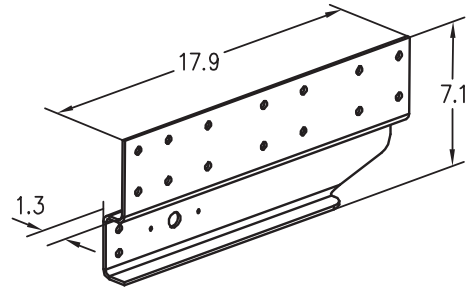
Side Decoration	N8508003-U801	SUS 304 BA
-----------------	---------------	------------



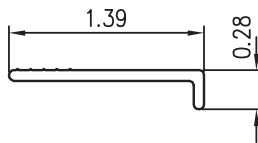
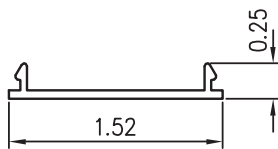
1	Front Decoration	N8508003-U802	SUS 304 BA
2	Decoration Corner Cover	N8508003-U804	SUS 304 BA



Roadside Reinforcement Plate	N8508003-U001	SUS 304
------------------------------	---------------	---------



Curbside Reinforcement Plate	N8508003-U002	SUS 304
------------------------------	---------------	---------



Side Cover	8521102-003	101.34"	AL	Top Cover	8510351-001	102.36"	AL
------------	-------------	---------	----	-----------	-------------	---------	----